

LMD-DM50

The LMD-DM50 is a 5MP diagnostic display with high resolution designed for full field digital mammography review of breast imaging and general radiology modalities including CT, CR, DR, MRI and Ultrasound. The LMD-DM50 is equipped with a 10-bit signal processor and 2048 x 2560 pixel resolution for producing outstanding diagnostic image quality. Display complies with medical standards and can be used in portrait and landscape modes. Loaded with a high luminance, high contrast LCD panel, it provides a luminance uniformity compensation feature and a capability to display up to 1024 shades of gray simultaneously. Super-high resolution of Independent Sub-pixels Drive (ISD) enables the pixel pitch of one-third in the sub-pixel chain direction, providing high-quality image reproduction and up to 1,276 shades of gray simultaneously. With full DICOM GSDF Part 14 conformance, automatic calibration, and remote monitoring and maintenance capabilities, the LMD-DM50 is an ideal choice for outpatient mammography centers and hospital radiology department PACS.

5 Megapixel
Diagnostic Monochrome
Mammography Display

*Supports 15 Megapixel
when Independent
Sub-pixels Drive is used!*



Features:

- 5MP 21.3" Diagnostic Mammography display with a pixel pitch of 165 μm
- Ideal for Mammography, CT, CR, DR, MRI and Ultrasound
- Advanced image quality with less degradation
- Viewing Angle: 170°/170°
- Pivot function for fast drawing in portrait orientation
- Automatic detection of LCD panel orientation by gravitation sensor
- Remote grayscale check and remote calibration functions
- 5 Year Advanced Exchange Program (AE Program)
- 48-hour turnaround on replacement product

5MP

10-bit

1,100
CD/m²

850:1
(typ)

21.3"
(5:4)

16-bit
LUT

Auto
Luminance
Stabilizer
Sensor

Dual-Link
DVI-D

Luminance
Equalizer-
Digital
Uniformity

Ambient
Light
Sensor

Hot Swap
Warranty

LMD-DM50 Specifications

LCD panel	a-Si TFT Active Matrix LCD
Effective Picture Size	Approx. 16.62 x 13.03 in (422.4 x 337.9 mm) (W/H, Diagonal)
Size	21.3 in (541.02 mm)
Viewing angle (H, V)	85°/85°/85°/85° (typical) (up/down/left/right contrast > 20:1)

Resolution

Portrait	5MP (2048 x 2560)
Landscape	5MP (2560 x 2048)

Pixel pitch

Normal	5MP 165 µm pitch
Independent Sub-pixels Drive ON	15MP 55 µm pitch

Aspect

Landscape	5:4
Portrait	4:5
Pixel efficiency	99.99%

Number of Grayscale

	256 out of 12241 shades of gray
	1024 shades of gray (Display Port 10-bit input)
	2048 simultaneous shades of gray
Independent Sub-pixels Drive ON	1276 shades of gray with ISD
Maximum luminance	1100 cd/m ² (panel typical)
Contrast ratio	850:1 (typical)
Backlight	CCFL
Mounting standard	VESA (100 mm)
Video input	DVI-D Dual Link/DisplayPort (per display)
USB ports	2
Power	AC 100~240V 50/60 Hz
Power consumption	90W
Mass	Approx. 27 lb 1.9 oz (12.3 kg)

Operating conditions

Temperature	41° F to 104° F (5° C to 40° C)
Recommended temperature	68° F to 86° F (20° C to 30° C)
Humidity	30% to 80%
Pressure	700 hPa to 1060 hPa (Operating)

Storage and transport conditions

Temperature	-4° F to 140° F (-20° C to 60° C)
Humidity	10% to 85%
Pressure	266 hPa to 1060 hPa (Storage)

Dimensions (W x H x D)

Landscape	18.67 x 18.89/21.31 x 8.66 in (474.5 x 479.9/541.4 x 220 mm)
Portrait	14.44 x 20.54/22.96 x 8.66 in (390 x 523.9/584.2 x 220 mm)

Safety Compliance

U.S.A	UL60601-1, ANSI/AAMI/ ES60601-1:2005, Class B FCC-DoC
Canada	No60601-1, Class B Digital Apparatus
China	GB49493 (IEC60950)+GB9254 (CISPR22), GB17625.1(IEC61000-3-2)

Supplied Accessories

AC power cord, DVI cable (Dual link), USB cable, CD-ROM

Optional Accessories

LMD-KT10 Calibration Kit / LMD-SN10 Display Network Manage

Warranty

5 Year Advanced Exchange Program

Limited Product Warranty also includes a 5 year Advanced Exchange Program ("AE Program"). For additional terms and conditions of the Advanced Exchange policy, visit www.sony.com/professionalservices/warranty/md-ae

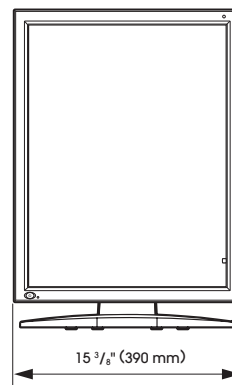
For the full Sony Standard Limited Product Warranty, visit www.sony.com/professionalservices/warranty

Independent Sub-pixels Drive technology is the property of, and developed by, Totoku Electric Co., Ltd.

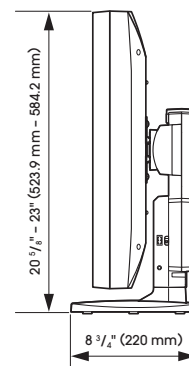
©2012 Sony Electronics Inc. All rights reserved. Reproduction in whole or in part without written permission is prohibited. All non-metric weights and measurements are approximate. Features and specifications are subject to change without notice. Sony, Sony make.believe, and their respective logos, are trademarks of Sony. VESA is a trademark of the Video Electronics Standards Association. All other trademarks are trademarks of their respective owners.

Caution: Federal (USA) law restricts this device to sale by or on the order of a physician or other appropriately licensed medical professional. Caution: See product labeling for indications, contraindications, warnings, cautions and directions for use.

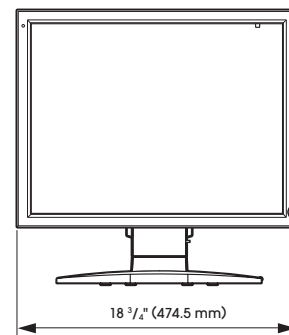
Front view (portrait)



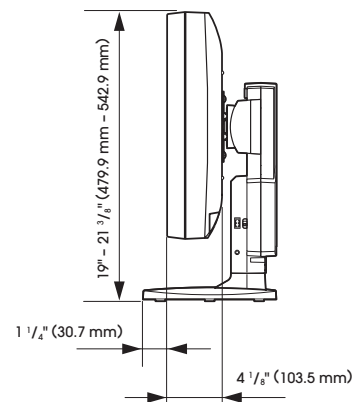
Side view (portrait)



Front view (landscape)



Side view (landscape)



sony.com/radiology